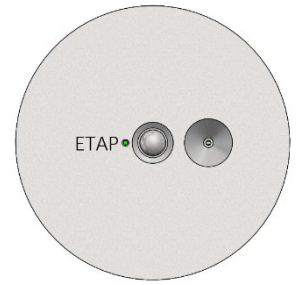




# ETAP Easydim2 Components



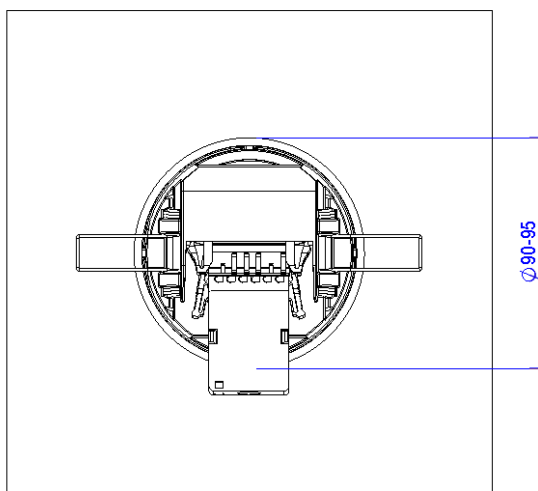
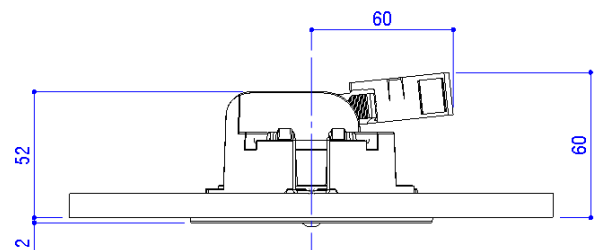
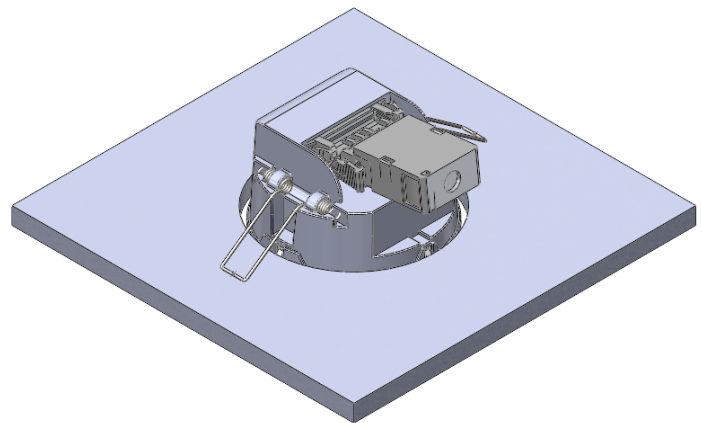
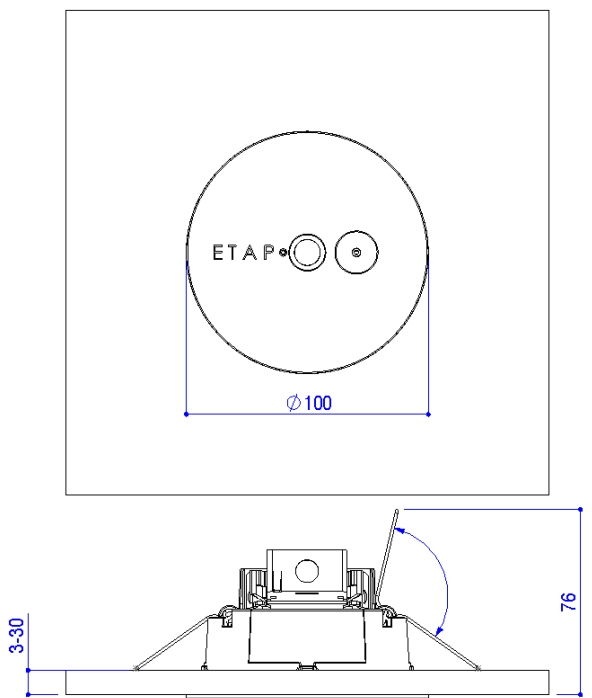
ENGLISH

## Mounting and Wiring Instructions

### Controller Recessed C1C20-B

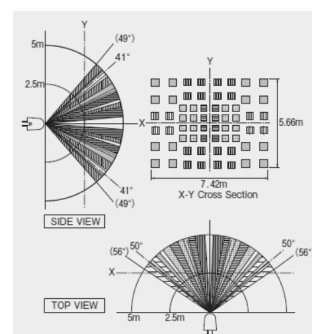
#### Mechanical

The controller for recessed mounting can be mounted in a cut-out of diameter 90-95mm. The ceiling thickness can vary from 3-30mm. For thin metal or other soft ceilings, a sturdy plate (e.g. wood) or the like has to be added to prevent the springs from damaging the ceiling. The free height above the ceiling needs to be minimum 60mm (measured from the bottom of the ceiling plate) to allow room for the connector.





The movement detection area is rectangular with the widest view aligned with the springs and the axis along the ETAP logo and sensor openings. The sensor should be mounted in an area with much daylight (if present) and since it is the Bluetooth connection point also near the area where it is most likely someone will be sited to control the lights via the smartphone App.

For expansion sensors and related accessories please consult [www.etaplighting.com](http://www.etaplighting.com)



The movement detection area for small movements at a mounting height of 2.8m is about 4x6m, for large movements it is about 6x8m. Max. height for small movement detection is 3,5m.

## Technical data C1C20-B

Operating voltage	230V AC 50Hz
Isolation of wires	All wiring needs to be isolated for mains voltage since DALI is NOT SELV!
Current supply to DALI line	See <a href="#">manual</a> on the website section 'System Limits'
Controller Housing Material	ASA 
Wiring schemes	See <a href="#">manual</a> on the website section 'Applications'
Working temperature	0 °C ... +50 °C (for reliable PIR movement detection, the temperature difference between moving objects and background should be at least 5°C)
Wire diameter and termination	<p>A counter plug is supplied that accepts the following wire types:</p> <p>Solid conductor : 0.08 ... 2.5 mm<sup>2</sup> / 28 ... 12 AWG            Fine-stranded conductor : 0.08 ... 2.5 mm<sup>2</sup> / 28 ... 12 AWG            Fine-stranded conductor                with ferrule with plastic collar : 0.25 ... 1.5 mm<sup>2</sup>            Fine-stranded conductor                with ferrule without plastic collar : 0.25 ... 2.5 mm<sup>2</sup></p>  <p>For Easydim2 it is advised to use 1.5mm<sup>2</sup>            Connector material: PA 66 Grey, CrNi clamping spring, Electrolytic copper Ecu contacts tin plated</p>
Default operation	At startup, the operation mode needs to be set by the App.
Dimensions (D x H)	Diam. 100x52mm (excl. counter plug). See dimensional sketch above for details.

### Connections:

The connections on the controller are marked as follows:

3 = DALI LINE 3

2 = DALI LINE 2

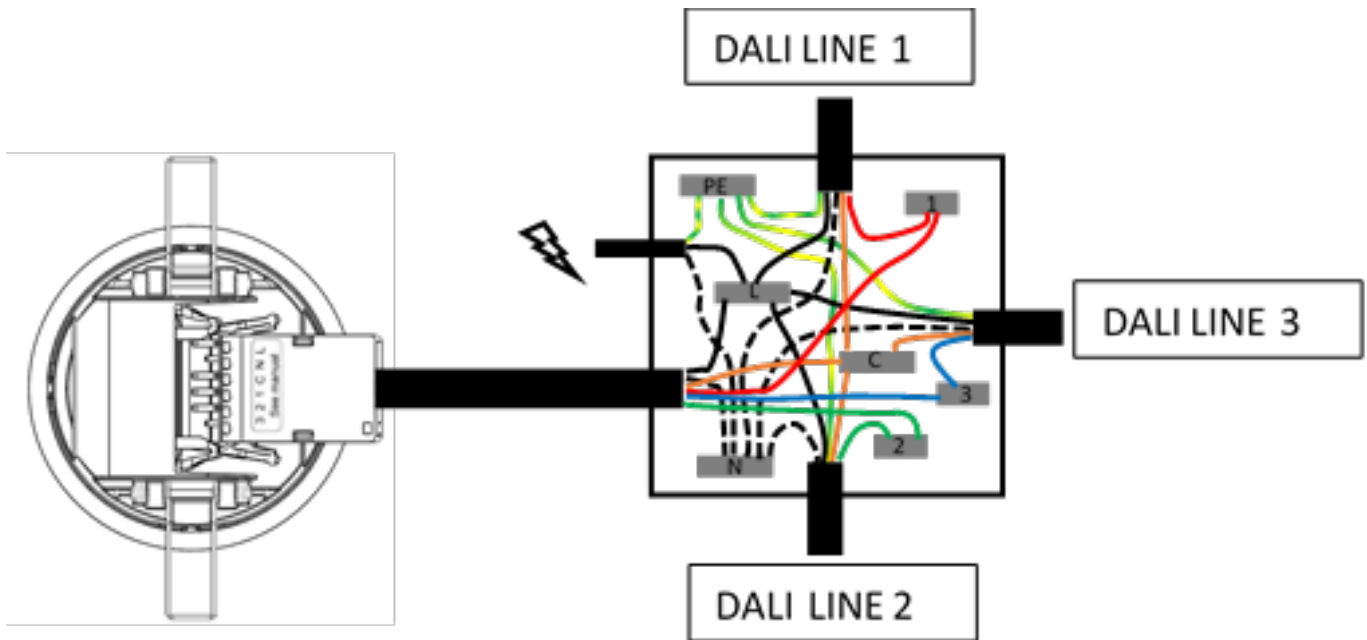
1 = DALI LINE 1

C = DALI LINE COMMON FOR LINES 1, 2 and 3

N, L = MAINS 230V AC 50Hz

3 2 1 C N L

The connections are made to the counter plug which provides strain relief for the cable after which it can be connected to the controller.



Typical connection via a junction box illustrated above (colours only for clarity schematic).



Conformity with applicable EU directives is confirmed by the CE symbol.  
 Specifications subject to change without notice

ETAP Export Departement – Antwerpsesteenweg 130 - 2390 Malle - Belgium  
 Tel. +32 (0)3 310 02 11 – info.be@etaplighting.com  
 www.etaplighting.com